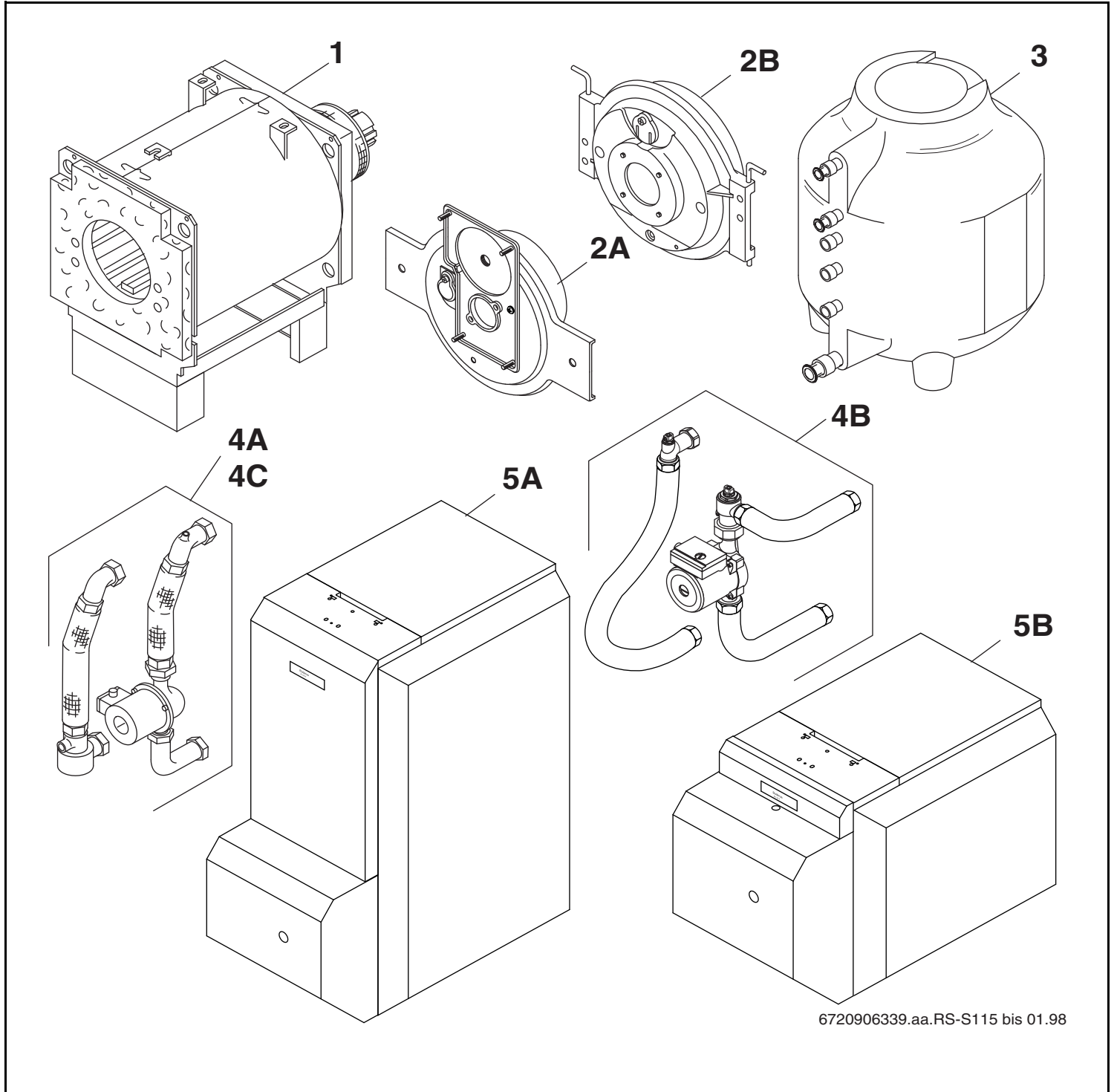


Logano S115U/T/UT (<01/1998)



Buderus

Wichtige Hinweise

- Ersatzteile dürfen nur von einem zugelassenen Installateur eingebaut werden!
- Im Anhang finden Sie:
 - die Übersetzungen aller verwendeten Teilebezeichnungen
 - eine Übersicht der Gerätetypen und Länder, für die diese Ersatzteilliste gilt.

Important notes

- The spare parts may only be installed by an approved installer!
- In the appendix you will find:
 - a list of translations of the names of all parts used
 - a list of the models and countries to which this spare parts list applies.

Indications importantes

- L'installation des pièces de rechange doit être effectuée par un professionnel qualifié!
- Veuillez trouver en annexe:
 - les traductions de toutes les désignations des pièces utilisées
 - une vue globale des types de chaudières et des pays pour lesquels la présente liste des pièces de rechange est valable.

Informações importantes

- Peças de substituição só podem ser montadas por um técnico credenciado!
- Em anexo encontra:
 - as traduções das designações de todas as peças utilizadas.
 - lista dos aparelhos e países para os quais esta lista de peças de substituição é válida.

Avvertenze importanti

- Le parti di ricambio possono essere montate esclusivamente da personale qualificato ed in possesso dei requisiti tecnico-professionali!
- In appendice sono reperibili:
 - traduzione di ogni descrizione relativa alle varie parti di ricambio
 - elenco di sigle e codici, corrispondente ai vari paesi di destinazione.

Indicaciones importantes

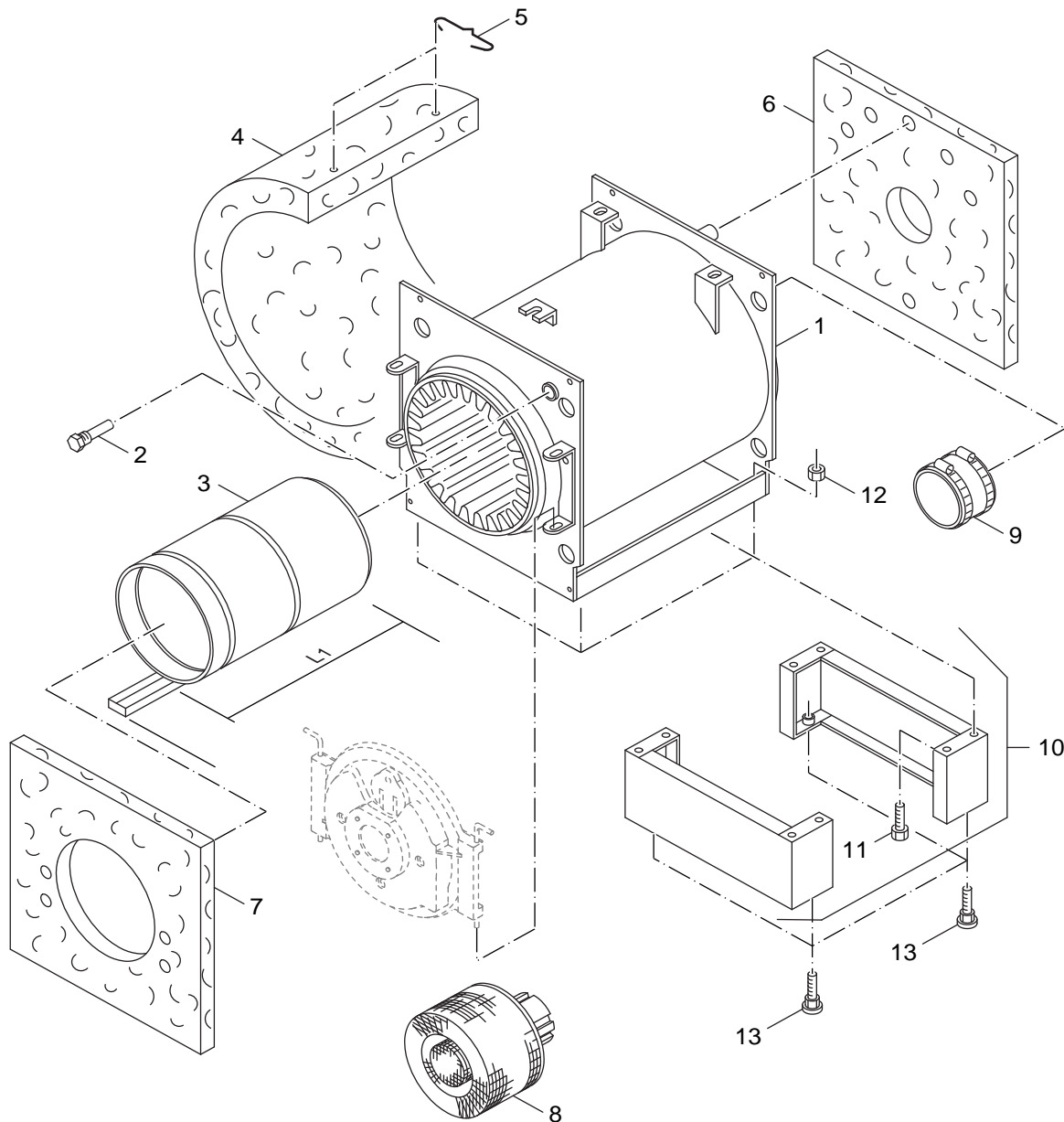
- Los repuestos solamente deben ser montados por los servicios técnicos oficiales de la marca!
- En el anexo podrá encontrar:
 - la traducción de todas las denominaciones de piezas empleadas
 - una relación de los tipos de aparato y países en los que se aplica esta lista de repuestos.

Belangrijke aanwijzing

- Onderdelen mogen alleen door een erkend installateur worden vervangen!
- In de bijlage vindt u:
 - de vertalingen van de gebruikte onderdelentekeningen
 - een overzicht van toesteltypen en de landen waarvoor deze onderdelenlijst bedoeld is.

Önemli Bilgiler

- Yedek parçalar sadece yetkili tesisatçılar tarafından monte edilebilir!
- Aşağıdaki bilgileri ekli olarak bulabilirsiniz:
 - Tüm kullanılan parça tanımlarının tercümelemleri
 - Bu yedek parça listesinin geçerli olduğu tüm cihaz çeşitleri ve ülkelerin özeti.

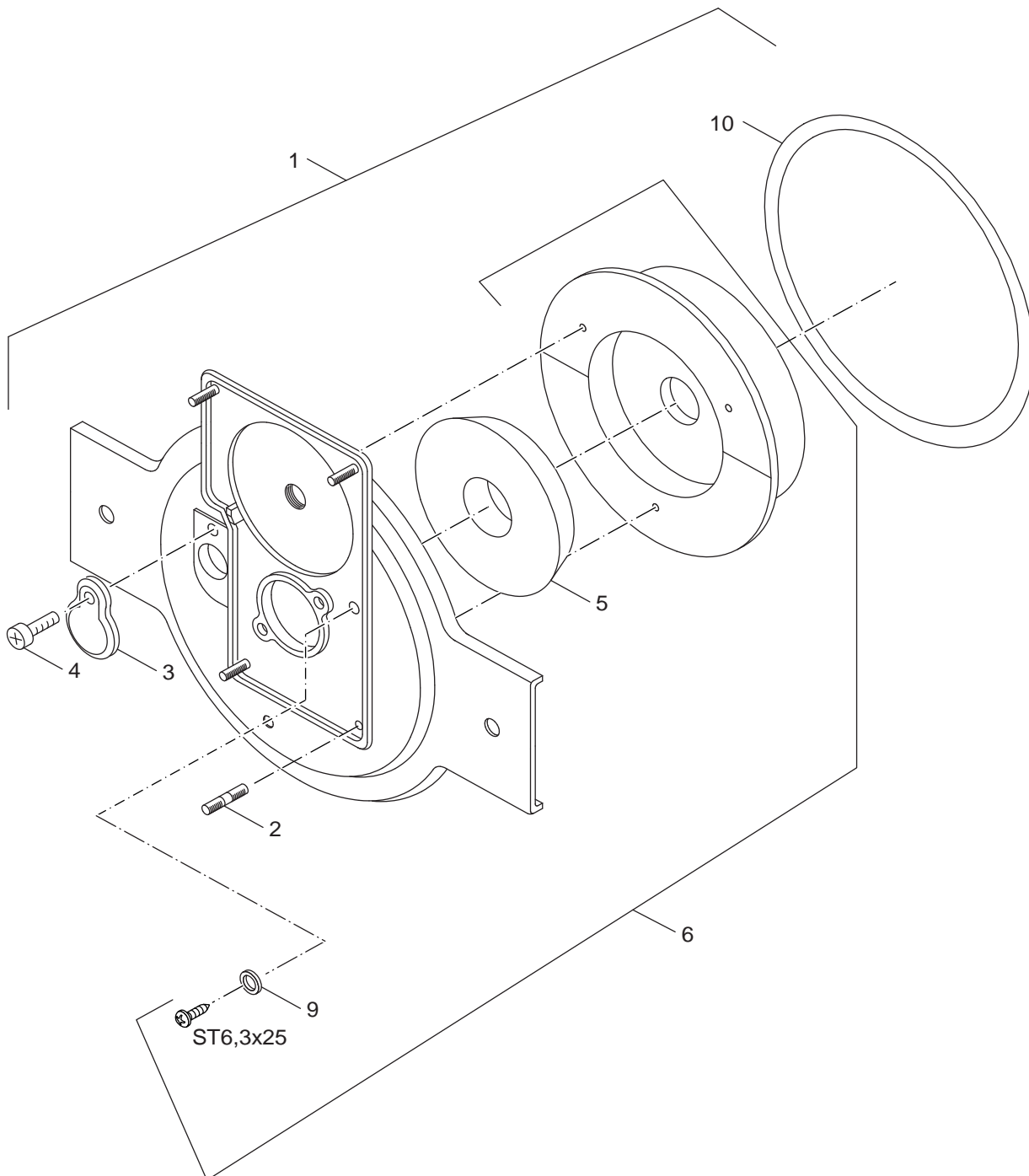


6720906340.aa.RS-Kesselblock S115/S115T <01/98

Logano S115U/T/UT (<01/1998)

1

Kesselblock S115/T (<01/98)
boiler block S115/T (<01/98)
Corps de chauffe S115/T (<01/98)
Corpo caldaia S115/T (<01/98)
ketelblok S115/T (<01/98)



6720906341.aa.RS-Brennertür S115U/T BRE/RE <01/98

2
A

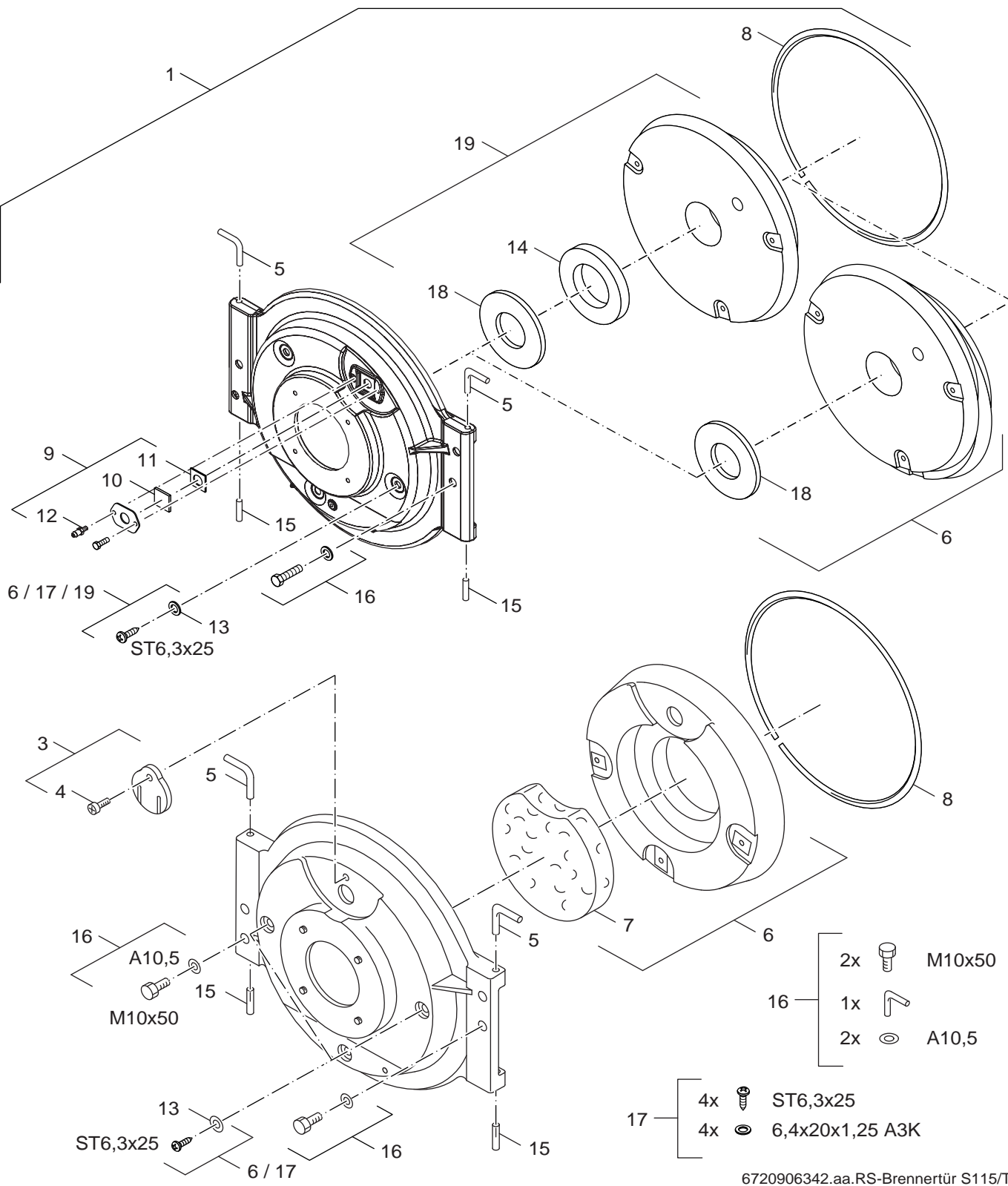
Brennertür S115U/T BRE/RE
Burner door S115U/T BRE/RE
Porte de brûleur S115U/T BRE/RE
Porta del bruciatore S115U/T BRE/RE
Branderdeur S115U/T BRE/RE

Logano S115U/T/UT (<01/1998)

Ersatzteilliste
Spare parts list

Liste des pièces de rechange
Lista parti di ricambio

Onderdelenlijst



2
B

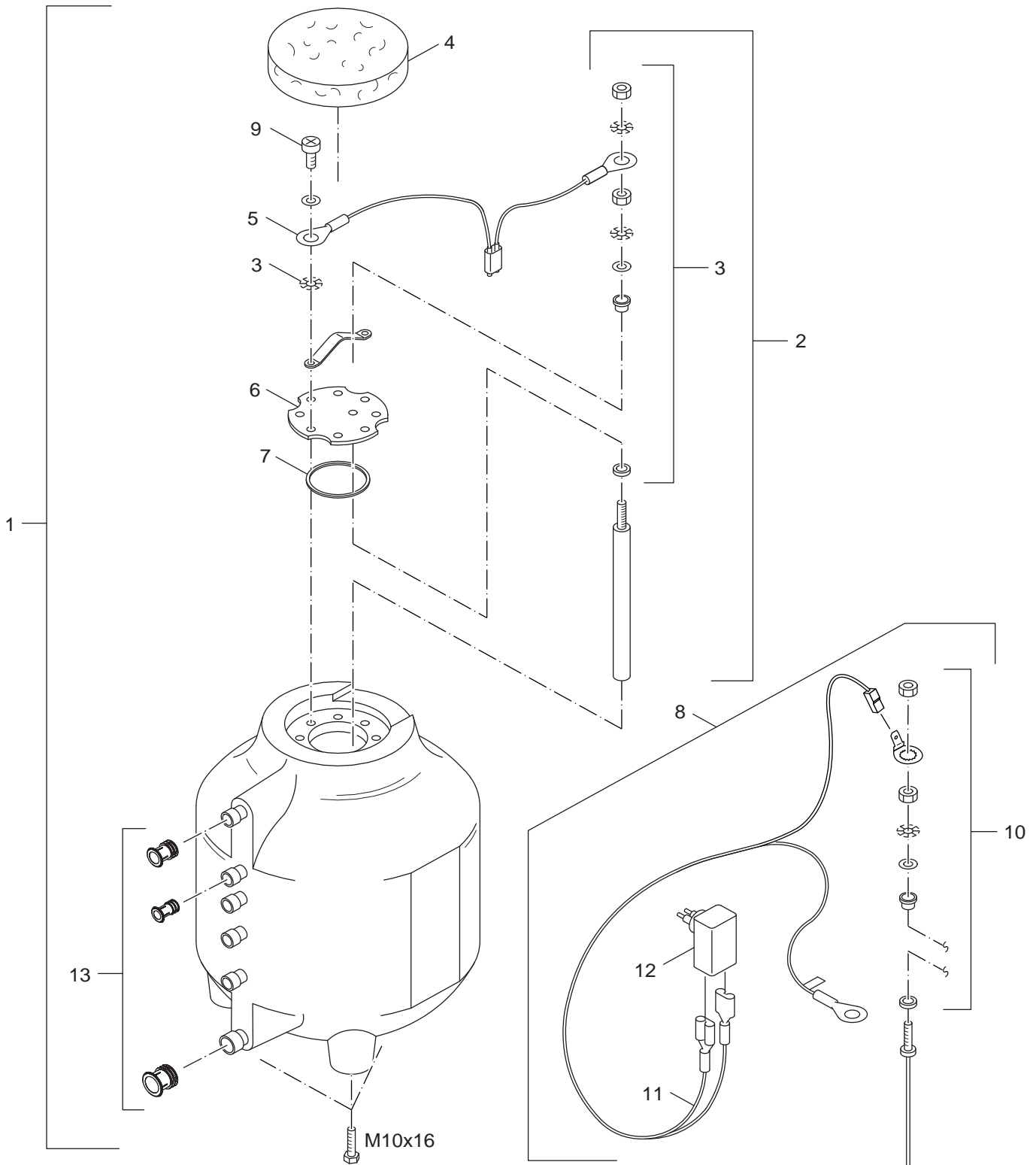
Brennertür S115/T
Burner door S115/T
Porte de brûleur S115/T
Porta del bruciatore S115/T
Branderdeur S115/T

Logano S115U/T/UT (<01/1998)

Ersatzteilliste
Spare parts list

Liste des pièces de rechange
Lista parti di ricambio

Onderdelenlijst

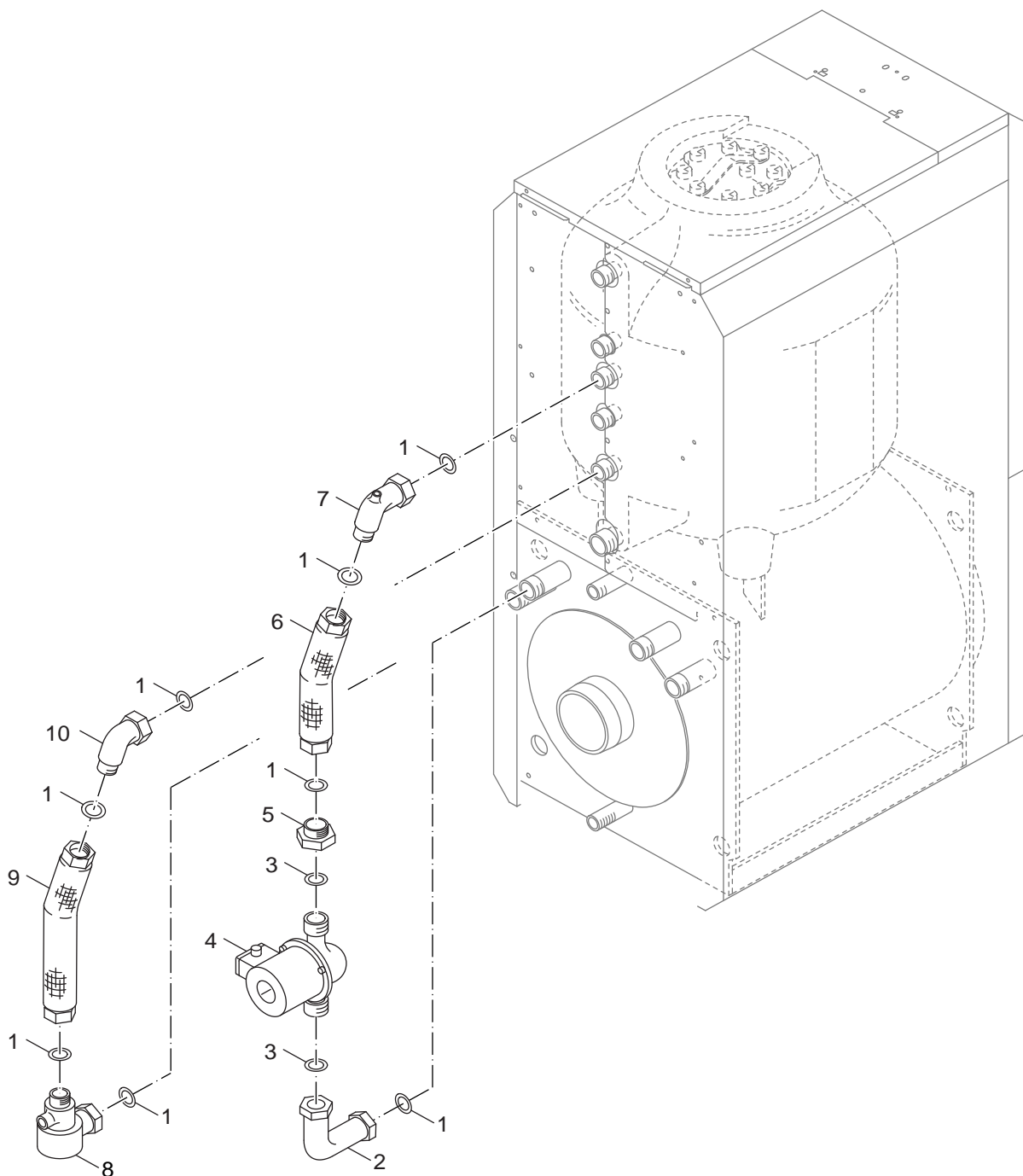


6720906343.aa.RS-Speicher S115T/UT

3

Speicher S115T/UT
cylinder S115T/UT
Ballon S115T/UT
Accumulatore S115T/UT
Voorraadvat S115T/UT

Logano S115U/T/UT (<01/1998)

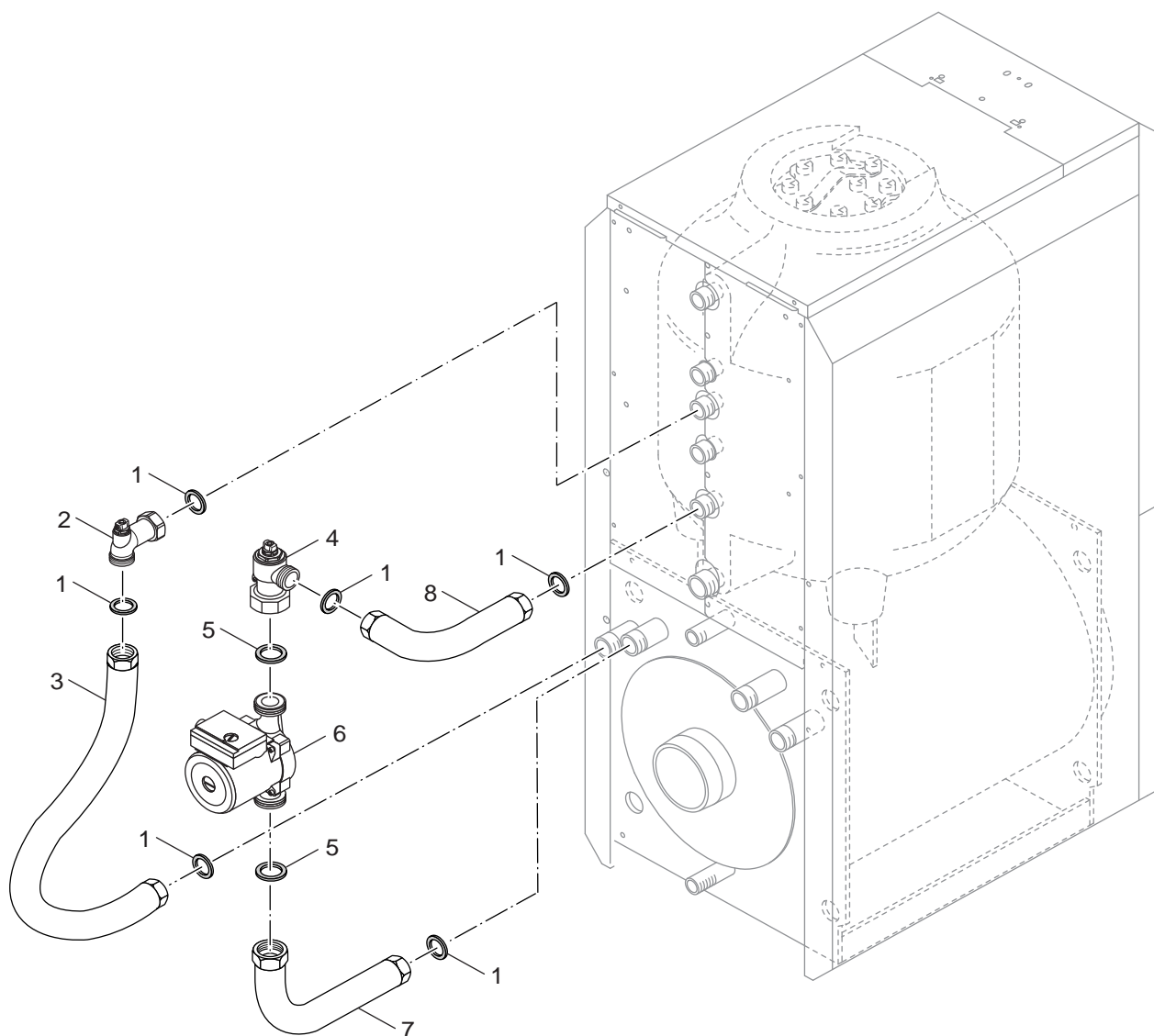


6720906344.aa.RS-Rohrgruppe S115T/UT 17-28kW <04/97

4
A

Rohrgruppe S115 17-28KW T150
Pipe assembly S115 17-28KW T150
Conduites de groupe S115 17-28KW T150
Gruppo tubazioni S115 17-28KW T150
Leidinggroep S115 17-28KW T150

Logano S115U/T/UT (<01/1998)

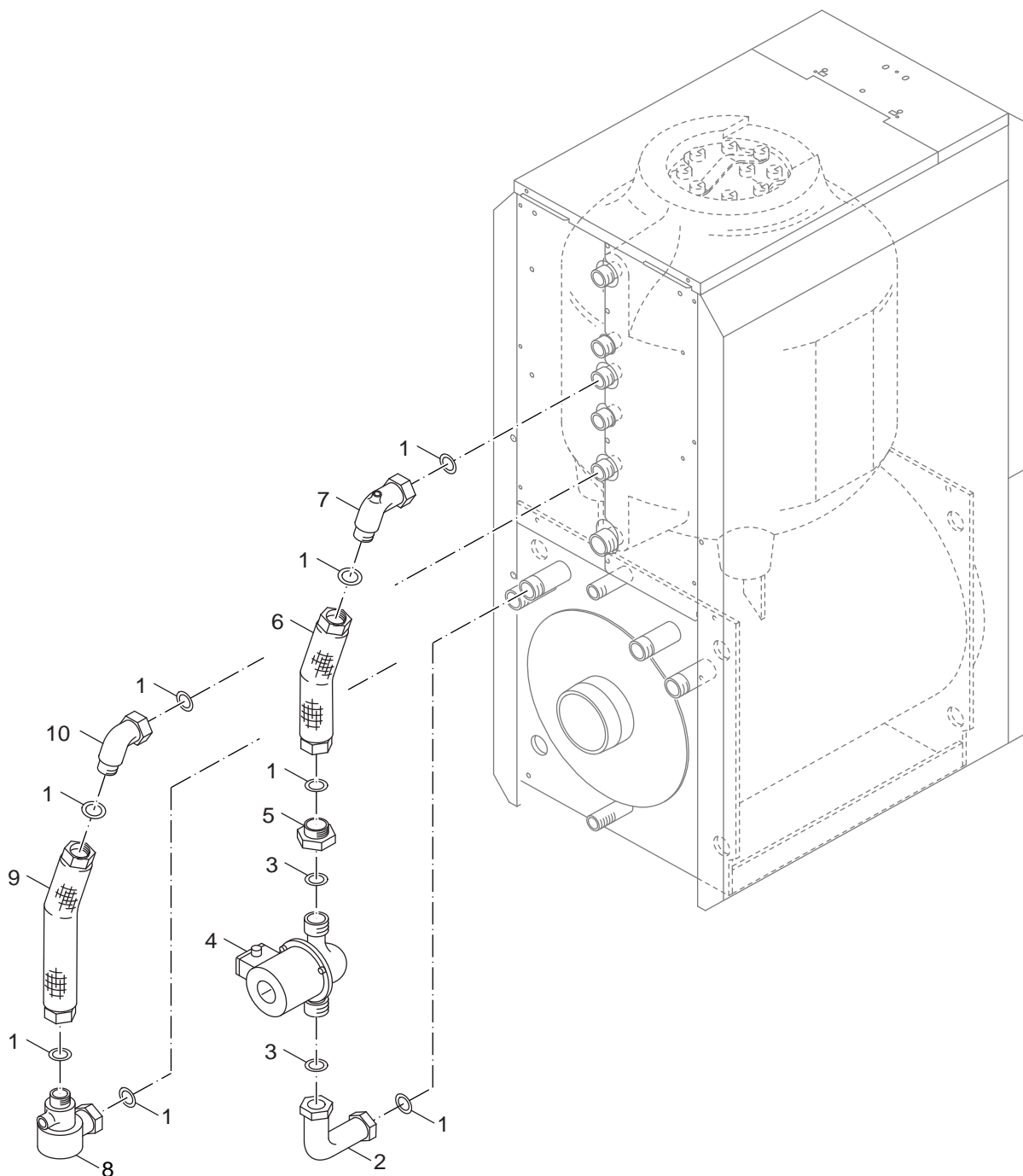


6720906345.aa.RS-Rohrgruppe S115T/UT 17-28kW >05/97

4
B

Rohrgruppe S115 17-28KW T150
Pipe assembly S115 17-28KW T150
Conduites de groupe S115 17-28KW T150
Gruppo tubazioni S115 17-28KW T150
Leidinggroep S115 17-28KW T150

Logano S115U/T/UT (<01/1998)



6720906346.aa.RS-Rohrgruppe S115T/UT 35kW

4
C

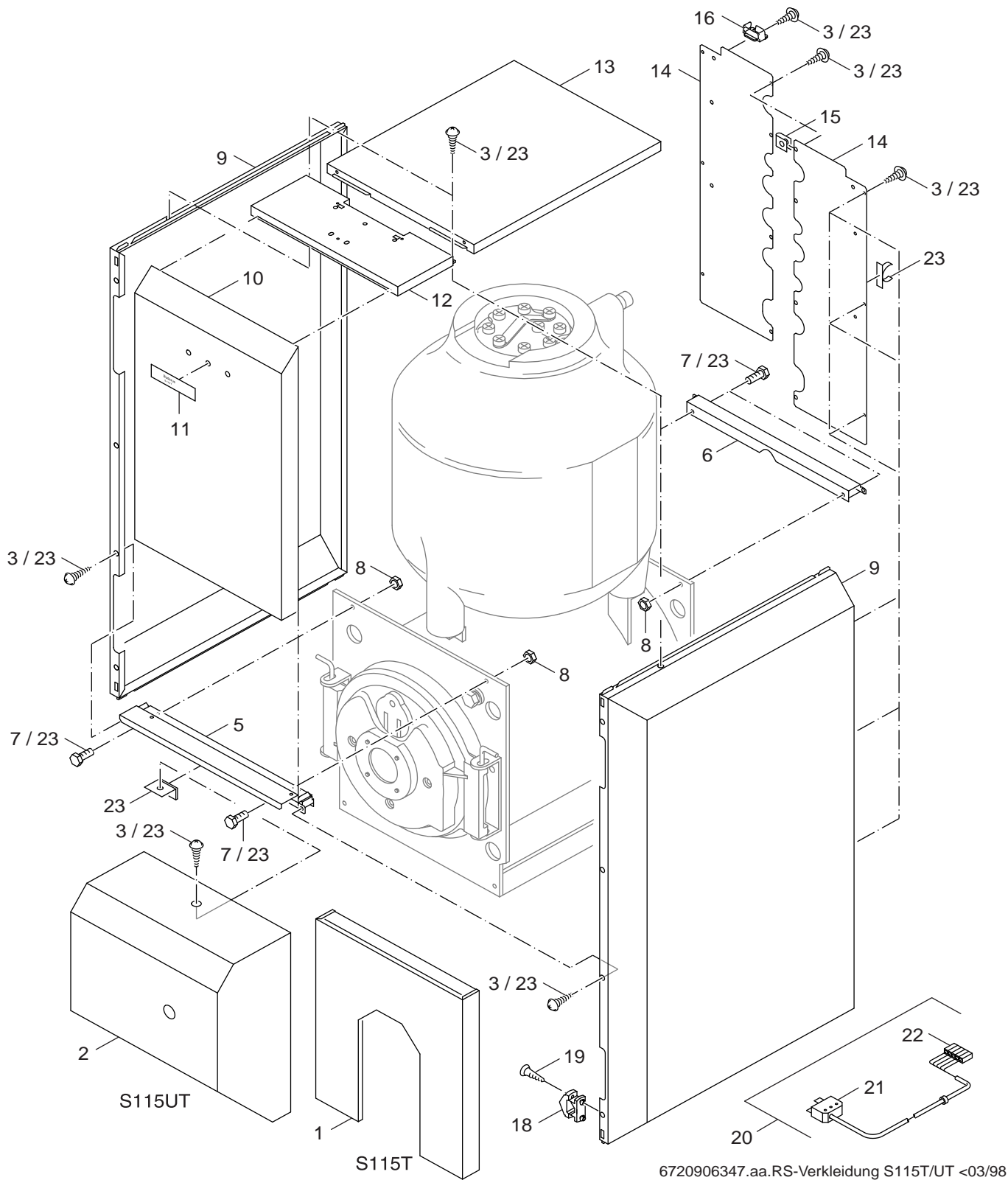
Rohrgruppe S115 34/35KW T150
pipe assembly S115 34/35KW T150
Conduites de groupe S115 34/35KW T150
Gruppo tubazioni S115 34/35KW T150
Leidinggroep S115 34/35KW T150

Logano S115U/T/UT (<01/1998)

Ersatzteilliste
Spare parts list

Liste des pièces de rechange
Lista parti di ricambio

Onderdelenlijst



5
A

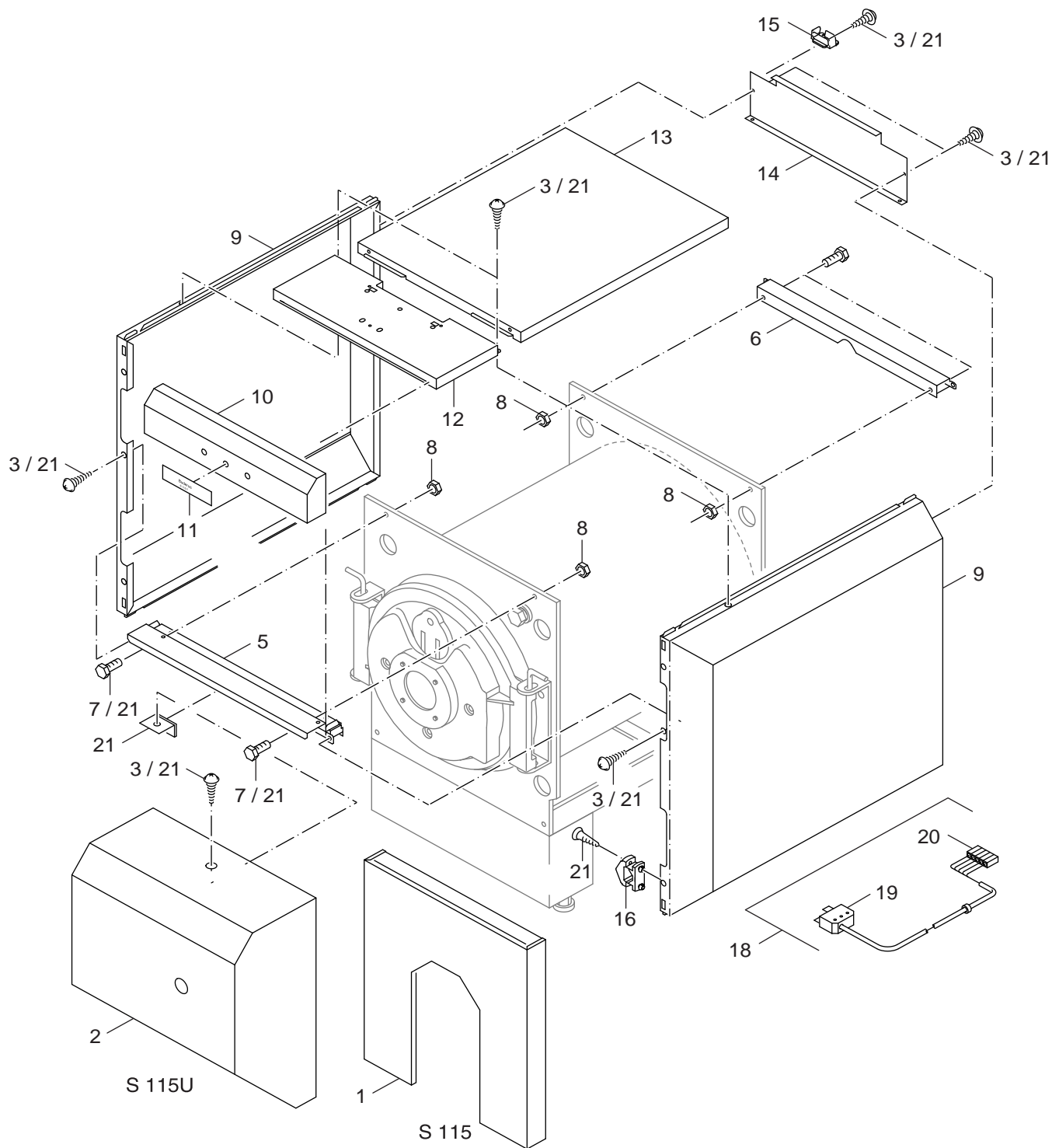
Verkleidung S115T/UT (<03/1998)
casing S115T/UT (<03/1998)
Habillage S115T/UT (<03/1998)
Rivestimento S115T/UT (<03/1998)
Bekleding S115T/UT (<03/1998)

Logano S115U/T/UT (<01/1998)

Ersatzteilliste
Spare parts list

Liste des pièces de rechange
Lista parti di ricambio

Onderdelenlijst



6720906348.aa.RS-Verkleidung S115/U <03/98

5
B

Verkleidung S115/U (<01/1998)
Casing S115/U (<01/1998)
Habillage S115/U (<01/1998)
Rivestimento S115/U (<01/1998)
Bekleding S115/U (<01/1998)

Logano S115U/T/UT (<01/1998)

Übersetzungsliste List of translations		Liste des traductions Traduzione delle descrizioni		Vertalinglijst
Pos	Description	Denomination	Descrizione	Benaming
1	Element of construction	Groupe de construction	Gruppo di costruzione	Montagegroep
1	Boiler block S115/125-28T replace V3	CORPS CHAUD FIOUL S115/S125T - 28KW V3	Corpo caldaia S115/S125-28T V3	Ketelblok S115/S125-28T V3
2	Sensor well R3/4"x100mm	DOIGT DE GANT 3/4x 100mm	Pozzetto ad immersione R3/4"x100mm	Dompelhuls R3/4"x100mm
3	Combustion chamber 17/21 external	POT DE COMBUSTION S115/S125 T21	Camera secca 17-21kW	Circulaire brander 17-21kW
4	insulation boiler block 17-21kW	Isolation corps de chaud. 17-21kW	Isolamento Corpo caldaia 17-21kW	Isolatie ketelblok 17-21kW
5	Retaining spring (10Pc)	RESSORTS DE RETENUE D 0.8 (10x)	Molla di tenuta (10x)	Borgveer (10x)
6	Thermal insulation rear panel 34-35kW	Isolation panneau arrière 34-35kW	Isolamento Parete posteriore 34-35kW	Isolatie Achterwand 34-35kW
7	Thermal insulation front panel 34-35kW	Isolation panneau avant 34-35kW	Isolamento Parete anteriore 34-35kW	Isolatie Voorwand 34-35kW
8	Flue gas silencer size S115/S125 17-28kW	PIEGE A SON CYLIND. S115/S125 -17-28 KW	Silenziatore gas combusti 17-28kW	Rookgasluiddemper S115/S125 - 17-28 kW
9	Flue pipe sealing collar DN130	MANCHET ETANCHEI DN 130	Manic. ermetiz. tubo fumi DN 130 compl.	Afd.manchet rookgasleiding DN130 compl.
10	boiler base, boiler S115/S125 size 17-28	Socle de chaudière 190mm modèle S115	Sottofondo caldaia S115/S125 17-28kW	ketelfundament S115/S125 17-28kW
11	Hex bolt ISO4017 M8x16 8.8	Ecrou 6 pans ISO4017 M8x16 8.8	Vite ISO4017 M8x16 8.8	Schroef ISO4017 M8x16 8.8
12	Hex nut ISO4032 M8 8 A3K	Ecrou 6 pans ISO4032 M8 8 A3K	Dado esagonale ISO4032 M8 8 A3K	Zeskantmoer ISO4032 M8 8 A3K
13	Inst-mat S115/S125/TT11 (Set 4 St.)	Pieds vissés S115/S125 (Set 4 St.)	Vite S115/S125 (Set 4 St.)	Schroef S115/S125 (Set 4 St.)
2A	Element of construction	Groupe de construction	Gruppo di costruzione	Montagegroep
1	Burner door S105/S115/S315 size 17-28KW	Porte de brûleur S105/315 BRE/RE 17-28KW	Porta del bruciatore S105/S115/S315 BRE/RE	Branderdeur S105/S115/S315 BRE/RE 17-28
2	Stud DIN939-M8x16 5.6	Goujon fileté DIN939-M8x16-5.6	Vite prigioniera DIN939-M8x16 5.6	Tapeind DIN939-M8x16 5.6
3	Viewing hole cover V2	Fermeture du viseur de flamme G205 V2	Chiusura spioncino V2	Kijkgatafsluiting V2
4	Pan-head screw DIN7985-M6x10-4.8	VIS M6X10 POUR VISEUR FLAMME G205	Vite a testa bombata DIN7985-M6x10-4.8	Lenskopschroef DIN7985-M6x10-4.8
5	Insulating mat size 17-28kW	ISOL PORTE BRULEUR S115T 17-28kW	Isolamento 17-28kW	Isolatie 17-28kW
6	Heat protection plate D=339mm size 17-28	ISOLATION BRE 1 17-28KW	Isolamento D=339mm 17-28kW	Isolatie D=339mm 17-28kW
9	Disk 6,4x20x1,25 A3K (10x)	Rondelle plate 6,4x20x1,25 A3K (10x)	Rondella 6,4x20x1,25 A3K (10x)	Onderlegring 6,4x20x1,25 A3K (10x)
10	Packing cords GPO 15x1150mm	CORDON D'ETANCHEITE GPO 15X1150 LONG	Cordone ermetizzante GPO 15x1150mm	Afdichtingkoord GPO 15x1150mm
2B	Element of construction	Groupe de construction	Gruppo di costruzione	Montagegroep
1	Burner door S/SC115/S125 size 17-28kW	Porte Brûleur S/SC115/S125 TE/BE 17-28	Porta Bruciatore S/SC115/S125 17-28kW	Branderdeur S/SC115/S125 17-28kW
3	Viewing hole cover V2	Fermeture du viseur de flamme G205 V2	Chiusura spioncino V2	Kijkgatafsluiting V2
4	Pan-head screw DIN7985-M6x10-4.8	VIS M6X10 POUR VISEUR FLAMME G205	Vite a testa bombata DIN7985-M6x10-4.8	Lenskopschroef DIN7985-M6x10-4.8
5	Hinge bolt D8x45/45mm	AXE CHARNIERE PORTE BRU. D8x45/45mm	Cerniera Bullone D8x45/45mm	Scharnier Bout D8x45/45mm
6	Thermal insulation burner door	ISOL PORTE BRUL 17-28kW / 39-70kW	Isolamento Porta 17-28kW / 39-70kW	Isolatie Deur 17-28kW / 39-70kW
7	Insulating mat set S115,S315 size 35-43	ISOL S115-S315 35/43 KW	Isolamento S115,S315 35-43kW	Isolatie S115,S315 35-43kW
8	Packing cords GPO 15x1150mm	CORDON D'ETANCHEITE GPO 15X1150 LONG	Cordone ermetizzante GPO 15x1150mm	Afdichtingkoord GPO 15x1150mm
9	Viewing hole lock V3 compl.	VISEUR FLAM V3	Chiusura spioncino V3 compl.	Kijkgatafsluiting V3 compl.
10	Glass pane 30x30x3,3mm repl pack	VERRE TEMPAX 30x30x3,3mm V2	Lastra di vetro 30x30x3,3mm	Glasvenster 30x30x3,3mm
11	Gasket 30x30x3mm	JOINT 30 X 30 X3mm	Guarnizione 30x30x3mm	Afdichting 30x30x3mm
12	Measuring nozz M6 SW10 V2	Injecteur de mesure de press. M6 SW10 V2	Ugello misura della pressione M6 SW10 V2	Drukmeetmondstuk M6 SW10 V2
13	Disk 6,4x20x1,25 A3K (10x)	Rondelle plate 6,4x20x1,25 A3K (10x)	Rondella 6,4x20x1,25 A3K (10x)	Onderlegring 6,4x20x1,25 A3K (10x)
14	insulating blanket 25xD192xD110mm 35-70	Isolation 25xD192xD110mm, 35-70kW	Isolamento 25xD192xD110mm, 35-70kW	Isolatie 25xD192xD110mm, 35-70kW
15	Rivet DIN 1472 8x40mm (2pieces)	Goupille cannelée DIN 1472 8x40 (2x)	Perno a tacche DIN 1472 8x40mm (2x)	Kefstift DIN 1472 8x40mm (2x)
16	installation material burner door	Matériel de montage Porte de brûleur	Materiale per il montaggio Porta del bru	Montagemateriaal branderdeur
17	Install material thermal insulation door	MATERIEL MONTAGE ISOL PORTE BRUL S115	Materiale per il montagg Isolamento Port	Montagemateriaal Isolatie deur
18	Insulating mat set size 17-70kW	ISOLATION 17-70kW 25xD187,5xD90mm	Isolamento 17-70kW 25xD187,5xD90mm	Isolatie 17-70kW 25xD187,5xD90mm
19	insulation Burner door size 35-43kW	Isolation Porte de brûleur 35-43kW	Isolamento Porta del bruciatore 35-43kW	Isolatie branderdeur 35-43kW
3	Element of construction	Groupe de construction	Gruppo di costruzione	Montagegroep
1	DHW cylinder T150/1	BALLON ECS L150 POUR	Accumulatore T150/1	Vorraadvat T150/1
2	Anode D33x400mm	ANODE MAGNES 33X400 MM V2	Anodo D33x400mm	Anode D33x400mm
3	Mounting kit magnesium anodes (10 pc)	Fixation pour anode (10 pces)	Set di fissaggio anodi di magnesio (10x)	Bevestigingsset magnesiumanoden (10x)
4	Thermal insulation D260 inspection port	ISOLATION TRAPPE D260*50	Isolamento Coperchio di pulizia D260	Isolatie Reinigingsdeksel D260
5	Flue gas for magnesium anode	PRISE DE MASSE ANODE	Controllo per anodo di magnesio	Bewaking voor magnesiumanode
6	Manhole cover D210mm	Trappe visitest D210mm	Coperchio d'ispezione D210 mm	Deksel handgat D210mm
7	Sealing ring 120x152x10	Joint etancheite 120x152x10mm	Anello di tenuta 120x152x10mm	Afdichtring 120x152x10mm
8	Inert anode UP 400mm	Anode inerte UP400 avec branch	Anode inerte UP400	Inertanode UP 400mm
9	thread-forming screws M10 set (8x)	Vis à ressort M10x25 (8x)	Viti Selbstf M10x25 (8x)	Zelftapschroeven M10x25 (8x)
10	Mounting kit inert anodes (5 pack)	Fixation Anode Inerte (5x)	Materiale per il Montaggio Anodo (5x)	Montagemateriaal Inertanode (5x)
11	Connecting cable 3500mm long with	Cable de raccordement 3500mm avec	Cavo di collegamento 3500mm	Aansluitkabel 3500mm
12	Connector potentiostat UP 19H AMP plug	Potentiostat à connecteur UP 19H	Potenzistato connettore UP 19H	Potentiostaat UP 19H
13	Sleeve R3/4x35	Manchon R3/4x35	Boccola R3/4x35	Huls R3/4x35

Übersetzungsliste List of translations		Liste des traductions Traduzione delle descrizioni		Vertalinglijst
Pos	Description	Denomination	Descrizione	Benaming
4A	Element of construction	Groupe de construction	Gruppo di costruzione	Montagegroep
1	Gasket D24x30,5x2mm (5 pieces)	Joint D24x30,5x2mm, (5 pièces)	Guarnizione D24x30,5x2mm, (5 pz.)	Afdichting D24x30,5x2mm, (5 stuks)
2	Elbow G1"-G1 1/2"	Presse etoupe G1"-G1 1/2"	Raccordo filettato ad angolo G1"-G1 1/2"	Haakse schroefverbinding G1"-G1 1/2"
3	Gasket D28x44x2mm, black (5 pc in kit)	Joint D28x44x2mm, noir (5x)	Guarnizione D28x44x2mm, nero (5x)	Pakking D28x44x2mm , zwart (5x)
4	Pump WILO RS25/6-3 180mm 9h Universal	Pompe WILO RS25/6-3 180mm 9h Universal	Pompa WILO RS25/6-3 180mm 9h Universal	Pomp WILO RS25/6-3 180mm 9h Universal
5	Reducing piece G 1 1/2"-1"	Reduction G1 1/2"-1	Riduzione G 1 1/2"-1"	Verloopnippel G 1 1/2"-1"
6	Flow cylinder connecting pipe DN25	RACC DEPART BALLON 17/28KW DN25	Mandata Collegamento accumulatore DN25	Aanvoer Boileraansluiting 17/28KW DN25
7	Elbow G1"	RACCORD COUDE G1"	Angolo Raccordo G1"	Hoeksteun Koppeling G1"
8	Angle non-return valve G1"-G1 1/2"	CLAPET ANTI RETOUR G1"-G1 1/2"	Valvola di non ritorno G1"-G1 1/2"	Terugslagklep G1"-G1 1/2"
9	Return cylinder connecting pipe DN25	RACC DEPART BALLON 17/28KW DN 25	Ritorno Collegamento accumulatore DN25	Retour Boileraansluiting DN25
10	Angle G1"	Tubul coude G1	Angolo G1"	Hoeksteun G1"
4B	Element of construction	Groupe de construction	Gruppo di costruzione	Montagegroep
1	Gasket D24x30,5x2mm (5 pieces)	Joint D24x30,5x2mm, (5 pièces)	Guarnizione D24x30,5x2mm, (5 pz.)	Afdichting D24x30,5x2mm, (5 stuks)
2	Elbow G1"	RACCORD COUDE G1"	Angolo Raccordo G1"	Hoeksteun Koppeling G1"
3	Pipe connection G1"	COUDE DE RACC RETOUR G1" CPL S115	Tubo di ritorno Curva G1"	Retour-Aansluiting-Pijp G1"
4	Angle non-return valve G1"	CLAPET ANTI RETOUR G1"XG1 1/2	Valvola di non ritorno G1"	Terugslagklep G1"
5	Gasket D28x44x2mm, black (5 pc in kit)	Joint D28x44x2mm, noir (5x)	Guarnizione D28x44x2mm, nero (5x)	Pakking D28x44x2mm , zwart (5x)
6	Pump WILO RS25/6-3 180mm 9h Universal	Pompe WILO RS25/6-3 180mm 9h Universal	Pompa WILO RS25/6-3 180mm 9h Universal	Pomp WILO RS25/6-3 180mm 9h Universal
7	Flow connection pipe bend G1 1/2"x G1"	COUDE DEPART POUR KIT S115T G1 1/2" x 1"	Tubo di mandata Curva G1 1/2"x G1"	Aanvoer-Aansluiting-Pijp G1 1/2"x G1"
8	Flow connection pipe bend G1"	TUBE DE BRANCHEMENT DEPART G1"	Tubo di mandata Curva G1"	Aanvoer-Aansluiting-Pijp G1"
4C	Element of construction	Groupe de construction	Gruppo di costruzione	Montagegroep
1	Gasket D24x30,5x2mm (5 pieces)	Joint D24x30,5x2mm, (5 pièces)	Guarnizione D24x30,5x2mm, (5 pz.)	Afdichting D24x30,5x2mm, (5 stuks)
2	Elbow G1"-G1 1/2"	Presse etoupe G1"-G1 1/2"	Raccordo filettato ad angolo G1"-G1 1/2"	Haakse schroefverbinding G1"-G1 1/2"
3	Gasket D28x44x2mm, black (5 pc in kit)	Joint D28x44x2mm, noir (5x)	Guarnizione D28x44x2mm, nero (5x)	Pakking D28x44x2mm , zwart (5x)
4	Pump WILO RS25/6-3 180mm 9h Universal	Pompe WILO RS25/6-3 180mm 9h Universal	Pompa WILO RS25/6-3 180mm 9h Universal	Pomp WILO RS25/6-3 180mm 9h Universal
5	Reducing piece G 1 1/2"-1"	Reduction G1 1/2"-1	Riduzione G 1 1/2"-1"	Verloopnippel G 1 1/2"-1"
6	Metal corrugated hose DN 25 385mm long	TUBUL FLEXIBLE DN25 385mm	Tubo flessibile DN25 385mm	Slang DN25 385mm
7	Elbow G1"	RACCORD A VIS COUDE G1" COMPLET	Raccordo filettato ad angolo G1"	Haakse schroefverbinding G1"
8	Angle non-return valve G1"-G1 1/2"	CLAPET ANTI RETOUR G1"-G1 1/2"	Valvola di non ritorno G1"-G1 1/2"	Terugslagklep G1"-G1 1/2"
9	Metal corrugated hose DN25 465mm long	Tuyau flexible métallique DN25 465mm	Tubo flessibile DN25 465mm	Slang DN25 465mm
10	Angle G1"	Tubul coude G1	Angolo G1"	Hoeksteun G1"
5A	Element of construction	Groupe de construction	Gruppo di costruzione	Montagegroep
1	Front bottom S115/S115T 17-28kW	HABIL DESSOUS AVANT S115T 17-28KW	Parete anteriore sotto S115/S115T 17-28	Voorwand Onder S115/S115T 17-28kW
2	Burner hood S115U/UT BRE/RE 17-28KW	CAPOT AVANT S115U/UT BRE/RE 17-28KW	Cuffia del bruciatore S115 BRE/RE 17-28	Branderkap S115U/UT BRE/RE 17-28kW
3	Pan-head screw ST3,9x9,5 A3T (10x)	Vis à tête plate ST3,9 (10x)	Vite a testa piana ST3,9x9,5 (10x)	Schroef met vlakke kop ST3,9x9,5 (10x)
5	Cross brace front S115T/SC115T/S125T	TRAVERSE AVANT S115T/SC115T/S125T	Traversa davanti S115T/SC115T/S125T	Vangschal vooraan S115T/SC115T/S125T
6	cross beam rear 17-28kW	Traverse derrière 17-28kW	Traversa dietro 17-28kW	Vangschal achteraan 17-28kW
7	Hex bolt ISO4017 M8x16 8.8	Ecrou 6 pans ISO4017 M8x16 8.8	Vite ISO4017 M8x16 8.8	Schroef ISO4017 M8x16 8.8
8	Hex nut ISO4032 M8 8 A3K	Ecrou 6 pans ISO4032 M8 8 A3K	Dado esagonale ISO4032 M8 8 A3K	Zeskantmoer ISO4032 M8 8 A3K
9	Side panel S115T/SC115T/S125T	Paroi latérale S115T/SC115T/S125T	Pannello laterale S115T/SC115T/S125T	Zijpaneel S115T/SC115T/S125T
10	Front top S115T/UT 17-28KW	HABIL SUP S115T/UT 17-28KW	Parete anteriore sopra S115T/UT 17-28KW	Voorwand boven S115T/UT 17-28kW
11	Device label Logano S115	HABIL LOGO LOGANO S 115	Targhetta caldaia S115	Toestelplaat S115
12	Hood front S115T/UT 17-28KW	HABIL DESSUS AVANT S115T/UT 17-28KW	Coperchio anteriore S115T/UT 17-28KW	afdekkap Voor S115T/UT 17-28kW
13	Hood rear 34-35kW	Capot derrière 34-35kW	Coperchio dietro 34-35kW	Afdekkap achteraan 34-35kW
14	Rear panel right/left S115UT/S125	Dosseret droite gauche S115T/S125T	Parete posteriore des/sin S115T/S125T	Achterwand rechts links S115T/S125T
15	Snap nut 3.9-A3K-SNU5743	ECROU 3,9-A3K-SNU5743	Chiocciola 3,9-A3K-SNU5743	Clip 3,9-A3K-SNU5743
16	Cable clip	ATTACHE RAPIDE	Angolare	Houder
18	Clamp strain relief	Couvercle serre cable	Fermo antitrazione	Trekontlasting
20	Burner connecting cable 4300mm long	CABLE BRUL LG 4300mm	Cavo coll. bruciat. lung. 4300mm compl.	Brander aansluitkabel 4300mm lang compl.
21	Connector part ST18/7 silver-plated	CONNECT ST18/7 ARGENTE	Connessione a spina ST18/7 argentata	Stekkerdeel ST18/7 verzilverd
22	Connecting terminal 7-pol green	Borne de connexion 7- pôles vert	Morsetto di collegamento 7-bipol. verde	Afsluitklem 7- polig groen
23	Installation material Casing S115T/UT	SACHET MONTAGE HABIL S115T/UT	Materiale per il montaggio Rivestimento	Montagemateriaal Bekleding S115T/UT
5B	Element of construction	Groupe de construction	Gruppo di costruzione	Montagegroep
1	Front bottom S115/S115T 17-28kW	HABIL DESSOUS AVANT S115T 17-28KW	Parete anteriore sotto S115/S115T 17-28	Voorwand Onder S115/S115T 17-28kW
2	Burner hood S115U/UT BRE/RE 17-28KW	CAPOT AVANT S115U/UT BRE/RE 17-28KW	Cuffia del bruciatore S115 BRE/RE 17-28	Branderkap S115U/UT BRE/RE 17-28kW
3	Pan-head screw ST3,9x9,5 A3T (10x)	Vis à tête plate ST3,9 (10x)	Vite a testa piana ST3,9x9,5 (10x)	Schroef met vlakke kop ST3,9x9,5 (10x)
5	Cross brace front 17-28kW	TRAVERSE AVANT 17-28KW	Traversa anteriore 17-28kW	Vangschal Voor 17-28kW

Bosch Thermotechnik GmbH
Sophienstraße 30-32
D-35576 Wetzlar
www.buderus.de

Buderus